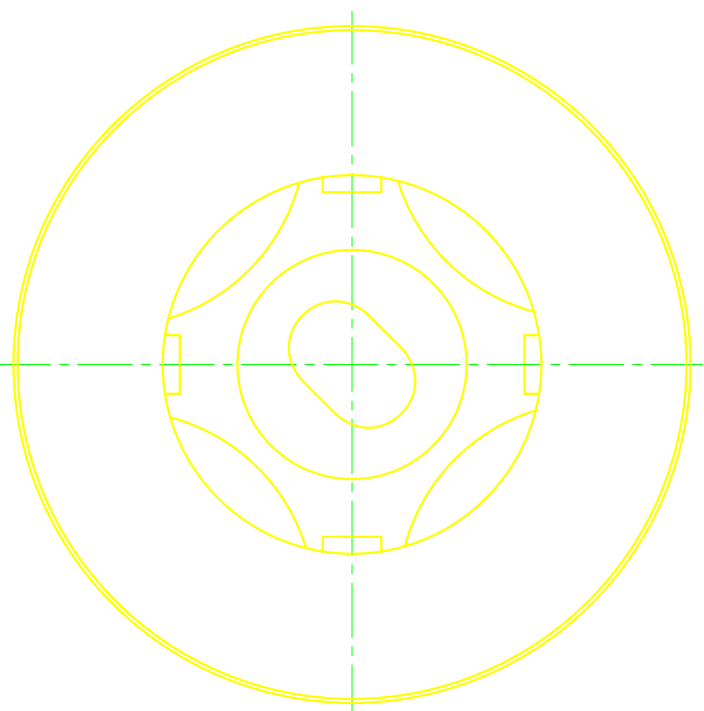


1. DESIGN TO API594.
2. PRESSURE TO ANSI B16.34.
3. Flange to ANSI B16.5.
4. F TO F TO API594.
5. TEST TO API598.

PN	NPS		dimension (mm)				
	NPS in	L	D	D1	D2	D3	
PN40	50	56	108	62	48	62	
	65	63	128	75	62	75	
	80	71	142	90	76	90	



4	DISC	A182 F304
3	SPRING	304
2	DISC	304
1	BODY	WCB
No.	Part name	Material

Wafer lift check

Xiamen Special Valve Co., Ltd.

General Assembly drawing

50-80HY1-40C