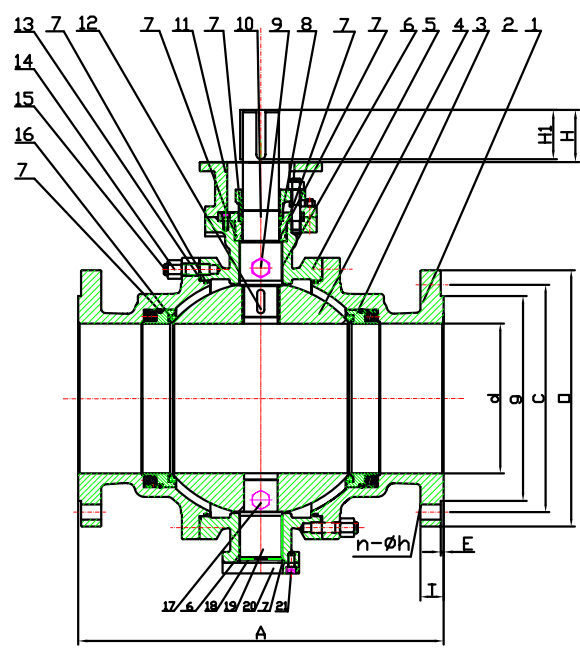


NOTICE: THE ORIGINAL DRAWING AND ALL COPIES THEREOF WITH THE COPYRIGHT THEREBY ARE THE SOLE PROPERTY OF CHENYI

1 | 2 | 3 | 4 | 5 | 6 | 7 | 8

A
B
C
D
E



CLASS	PRESSURE TEST (MPa)		
	SHELL TEST	SEAT TEST	AIR TEST
150lb	3.0	2.2	0.6
APPLICABLE TEMPERATURE		-29 ~ 120 °C	
APPLICABLE MEDIA		W.D.G	

- | | |
|----------------------------|-------------|
| 1. DESIGN AND MANUFACTURE | API 6D |
| 2. FACE TO FACE DIMENSIONS | ASME B16.10 |
| 3. FLANGE ENDS DIMENSIONS | ASME B16.5 |
| 4. FIRE SAFE TEST | API 607 |
| 5. PRESSURE TEST | API 598 |

21	SCREW	A193 GR.B8
20	BOTTOM COVER	WCB
19	FIXED SPINDLE	A105
18	LOWER THRUST WASHER	PTFE
17	DRAIN PLUG	1020+Zn
16	SEAT	PTFE
15	STUD	A193 GR.B8
14	NUTS	A194 GR.B
13	GASKER	SS304+GRAPHITE
12	KEY	AISI C 1045
11	SUPPORT	WCB
10	STEM	F304
9	VENT VALVE	1020+Zn
8	PACKING	GRAPHITE
7	"O" RING	VITON
6	SLIDING BEARING	PTFE&STAINLESS STEEL
5	BODY	CF8
4	BALL	SS304
3	SEAT RING	F304
2	SPRING	SS304
1	BOONET	CF8
NO PART NAME		MATERIAL
CAST STEEL TRUNNION MOUNTED BALL VALVE		
Xiamen Special Valve Co.Ltd		
DATE	2008.11.27	TAG NO. 0000000

150lb	16"	387	762	597	540	470	1.6	37	16-ø29	65	18	100	105	F14	4680
CLASS	Inch	d	A	D	C	9	E	T	n-øh	d2	b	H1	H	ISO5211	N/M

VENDOR Dwg. No.	SCALE	DRAWN	DATE
▲		CHECKED	DATE
REV.No.	DESCRIPTION	APPROVED	DATE

1 | 2 | 3 | 4 | 5 | 6 | 7 | 8